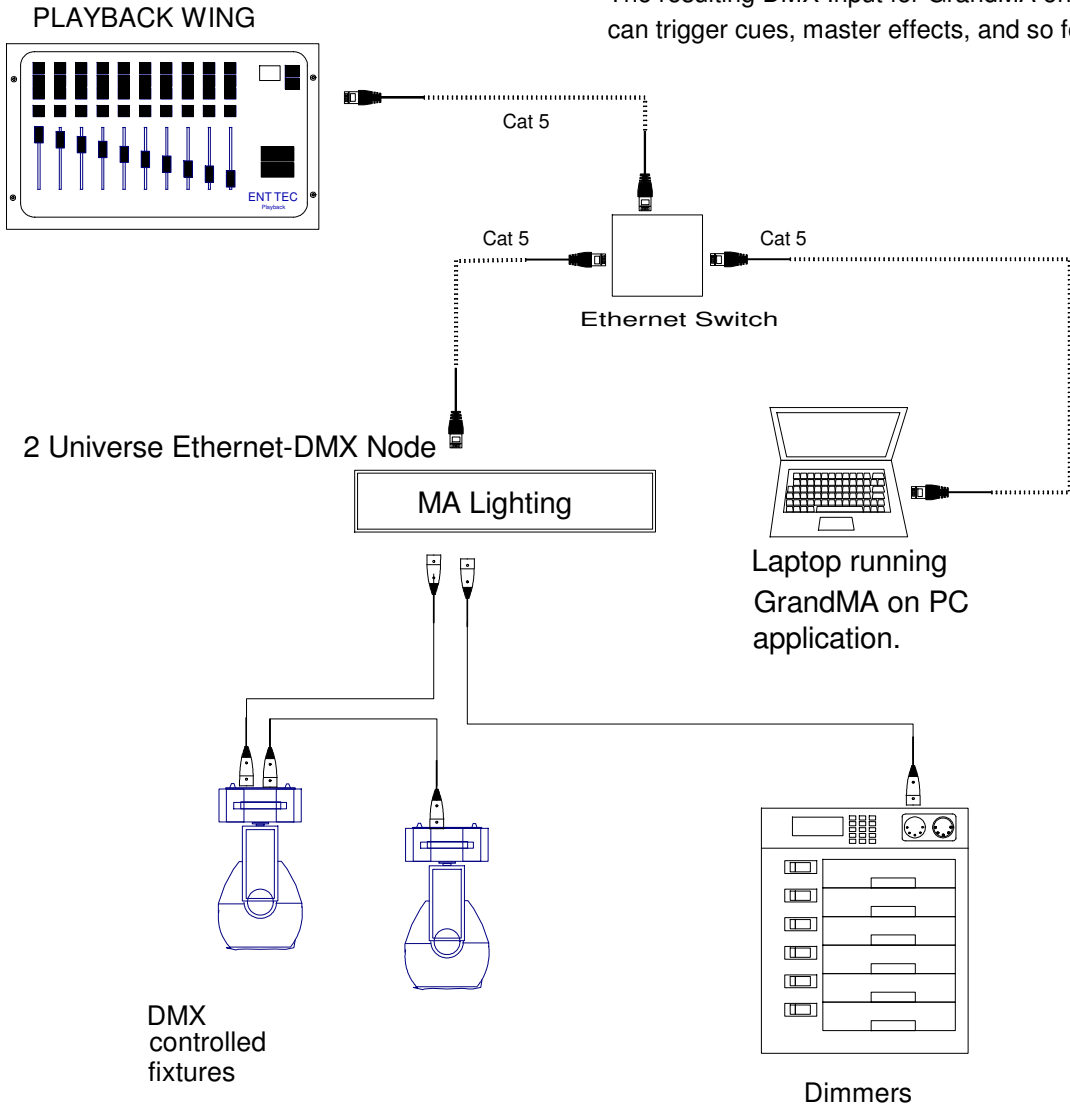


# PLAYBACK WING for GrandMA

**Note:**

In Art-Net mode, Playback Wing's faders and buttons are mapped to any 50 channels user selects with Node Management Utility.

The resulting DMX Input for GrandMA onPC can trigger cues, master effects, and so forth.



P.O. Box 282  
Kew, Vic 3101  
Australia  
+61 39 819 2433 Tel  
+61 39 819 2733 Fax

**ENTTEC PTY LTD**

ENTTEC USA  
SALES AND INFO  
337 Court Street  
Brooklyn, NY 11231  
888 454-5922 Voice/Fax

**PLATE**

**70032-4**

**RISER DIAGRAM**  
PLAYBACK WING for GrandMA

SCALE: n/a  
Some elements drawn out of scale for clarity  
DRAWING DATE: 5/20/2007

DRAWN BY: J KUMIN