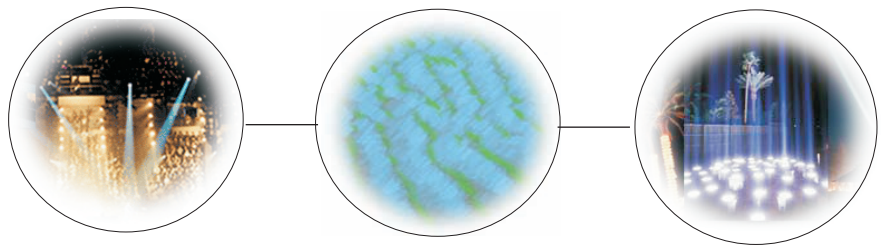


# DATA GATE

The Bridge to New Technologies



## THE PERFECT COMBINATION

**M**ULTI UNIVERSE ARTNET TO  
DMX CONVERSION

**A**DAPTABLE

**A**TTEND TO THE MOST COMPLEX  
DMX SITUATIONS

# ENTTEC

WWW.ENTTEC.COM

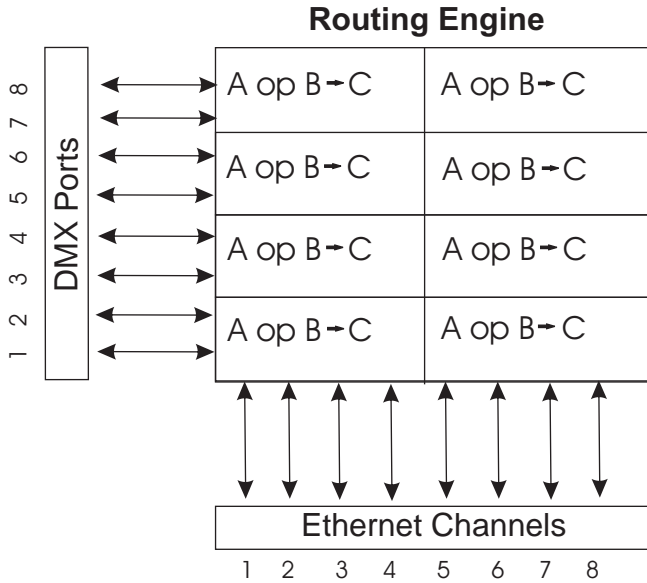
Entertainment Technology

# DATA GATE

The **Datagate** is the cornerstone of any DMX network. It can be:

- DMX Hub/Splitter
- DMX Merger (HTP or LTP)
- DMX -> Ethernet
- Ethernet-> DMX
- Or any combination of the above

*You can do whatever you want!*



**A op B -> C**  
**Op** (operator) can either:  
 - Copy  
 - Merge LTP or  
 - Merge HTP

**A, B, C** can be either a:  
 - DMX Port or  
 - Ethernet Channel

The routine merging enables you to copy or merge any of the port or channels together, and an output on whatever port or channel.

Eg: channel 1 → port 3

Eg: port 1(LTP merge) port 6 → port 8

## Applications:

- DMX splitter
- DMX Merger
- Wireless DMX
- ARTNET Output from any lighting desk or software

## Hardware:

- 19 inch 1U Rackmount
- 8 DMX ports (input or output)
- 1 Ethernet port
- LCD screen
- Internal power supply

## Features:

- Each of the DMX ports can be configured as input or output.
- Option to modify the DMX signal timing:
  - change break length
  - reduce frame rate
- Port 8 is special as it has both output and input connectors
- All ports are opto isolated between each other to 1500V
- Able to create your own profiles using the free NMU utility for Windows and Apple OSX.
- Use a gender changer when port is configured as input. —



Part number:  
 70024 Datagate Base Model, 70025 Merging License, 70026 Ethernet License

**Head Office:**  
 ENTTEC Pty Ltd  
 Factory 17/5 Samantha Ct  
 Knoxfield, Vic, 3180  
 Australia  
 Tel: +61 3 9763 5755  
 Fax: +61 3 9763 5688

**US Office:**  
 ENTTEC  
 Durham, NC  
 USA  
 Tel: (888) 454-5922  
 Fax: (888) 454-5922

E-mail: sales@enttec.com

Website: www.enttec.com

