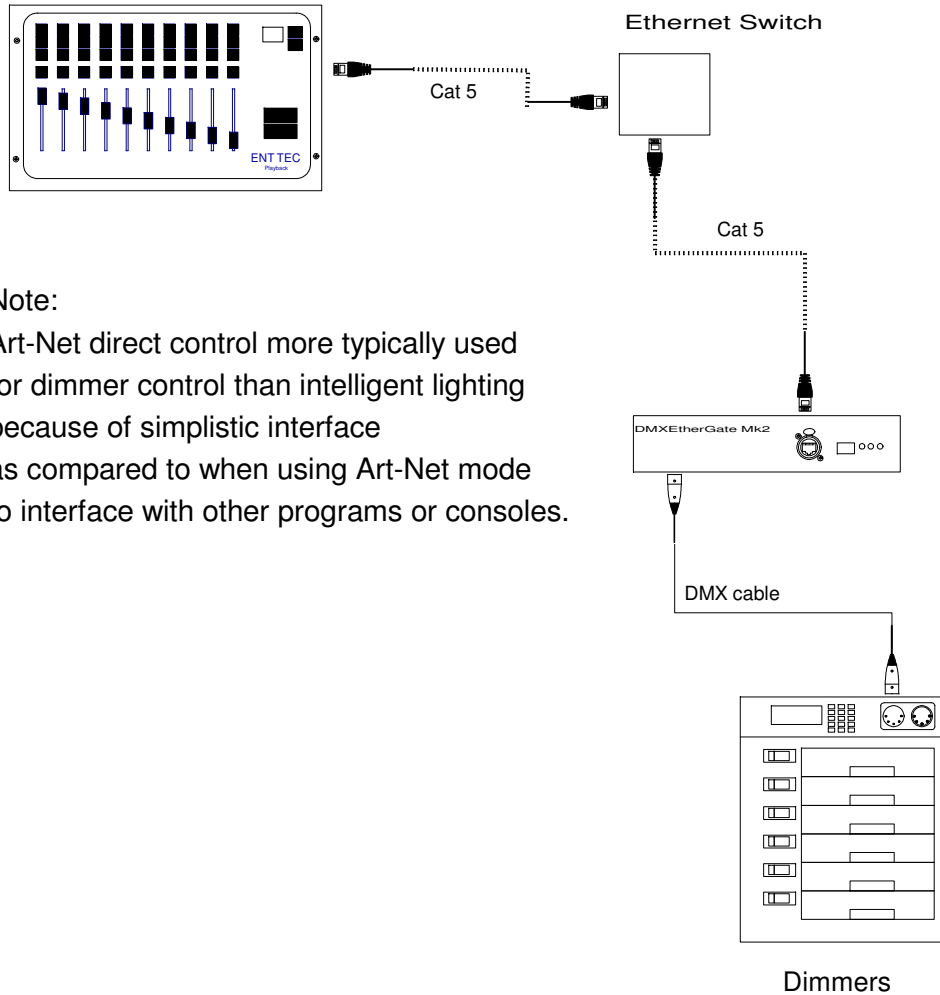


PLAYBACK WING in Art-Net Mode (Standalone)

PLAYBACK WING Configured for Art-Net Mode



Note:

Art-Net direct control more typically used for dimmer control than intelligent lighting because of simplistic interface as compared to when using Art-Net mode to interface with other programs or consoles.

P.O. Box 282
Kew, Vic 3101
Australia
+61 39 819 2433 Tel
+61 39 819 2733 Fax

ENTTEC PTY LTD

ENTTEC USA
SALES AND INFO
337 Court Street
Brooklyn, NY 11231
888 454-5922 Voice/Fax

PLATE

70032-3

RISER DIAGRAM
PLAYBACK WING in Art-Net Mode

SCALE: n/a
Some elements drawn out of scale for clarity
DRAWING DATE: 5/20/2007

DRAWN BY: J KUMIN